



BJ4 WORLDS EDITION SET-UP SHEET:

DRIVER RICH CREE

DATE ANY

TRACK/CITY GRASS/ASTRO

EVENT START SET UP

NOTES:

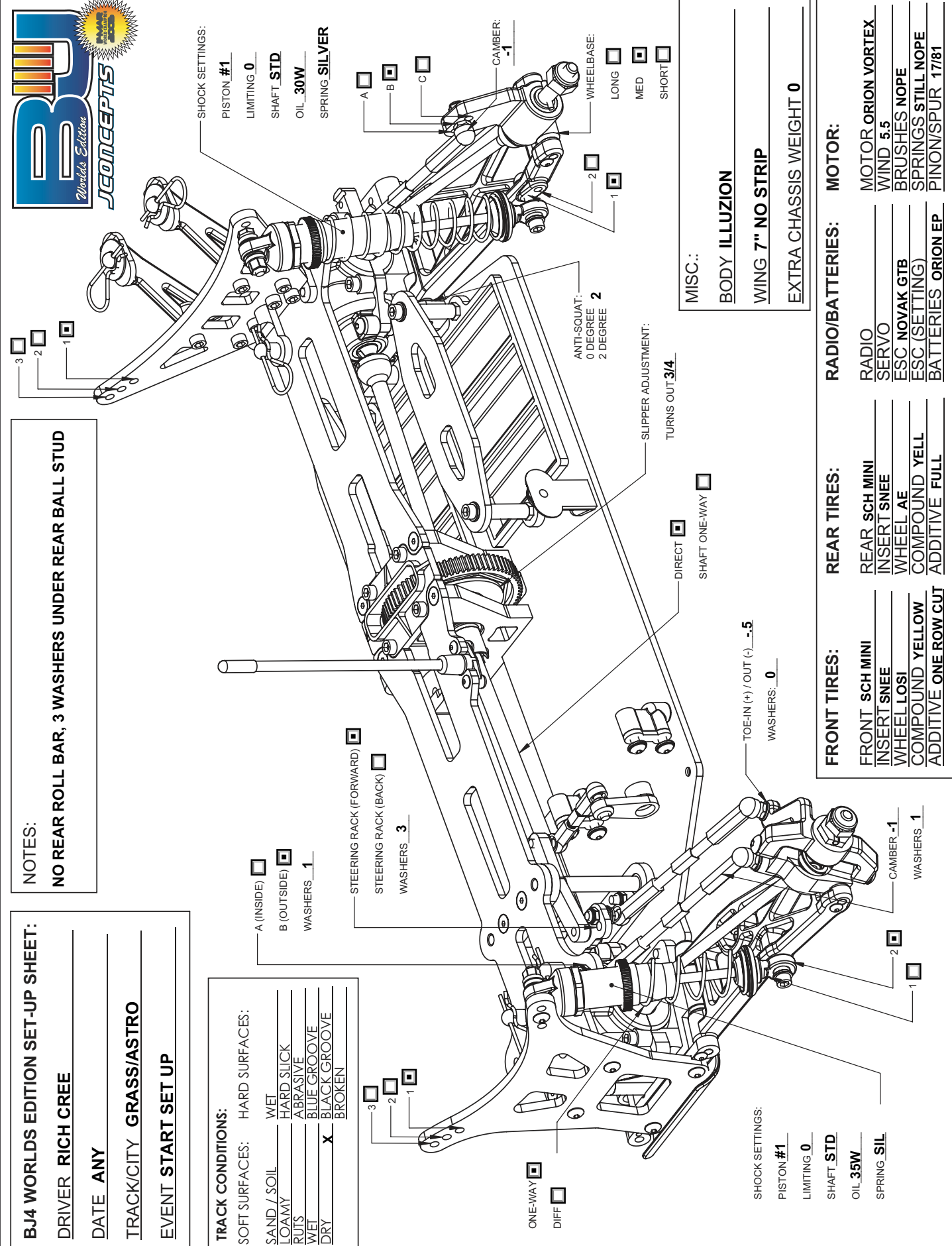
NO REAR ROLL BAR, 3 WASHERS UNDER REAR BALL STUD

TRACK CONDITIONS:

SOFT SURFACES: _____ HARD SURFACES: _____

- SAND / SOIL _____ WET _____
- LOAMY _____ HARD SLICK _____
- RUTS _____ ABRASIVE _____
- WET _____ BLUE GROOVE _____
- DRY _____ BLACK GROOVE _____
- _____ BROKEN _____

SHOCK SETTINGS:
 PISTON #1 _____
 LIMITING 0 _____
 SHAFT STD _____
 OIL 30W _____
 SPRING SILVER _____



STEERING RACK (FORWARD)
 STEERING RACK (BACK)
 WASHERS 3 _____
 A (INSIDE)
 B (OUTSIDE)
 WASHERS 1 _____

SHOCK SETTINGS:
 PISTON #1 _____
 LIMITING 0 _____
 SHAFT STD _____
 OIL 35W _____
 SPRING SIL _____

FRONT TIRES:
 FRONT SCH MINI _____
 INSERT SNEE _____
 WHEEL LOSI _____
 COMPOUND YELLOW _____
 ADDITIVE ONE ROW CUT _____

REAR TIRES:
 REAR SCH MINI _____
 INSERT SNEE _____
 WHEEL AE _____
 COMPOUND YELLOW _____
 ADDITIVE FULL _____

RADIO/BATTERIES:
 RADIO _____
 SERVO _____
 ESC NOVAK GTB _____
 ESC (SETTING) _____
 BATTERIES ORION EP _____

MOTOR:
 MOTOR ORION VORTEX _____
 WIND 5.5 _____
 BRUSHES NOPE _____
 SPRINGS STILL NOPE _____
 PINION/SPUR 17/81 _____

MISC.:
 BODY ILLUZION _____
 WING 7" NO STRIP _____
 EXTRA CHASSIS WEIGHT 0 _____